

Product Specifications

AL5DM-PS

7-16 DIN Male Positive Stop™ for 7/8 in AL5-50 and AVA5-50 cable



CHARACTERISTICS

General Specifications

| | |
|----------------|--------------------------|
| Interface | 7-16 DIN Male |
| Body Style | Straight |
| Brand | HELIAX® Positive Stop™ |
| Mounting Angle | Straight |

Electrical Specifications

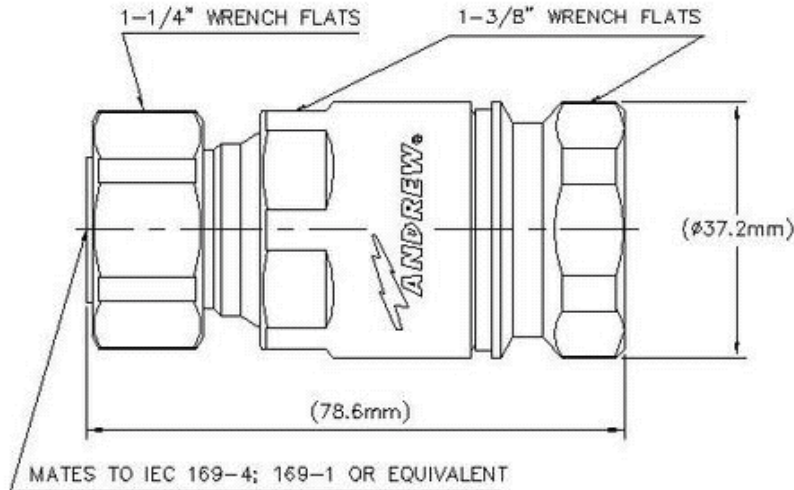
| | |
|--------------------------------------|----------------------|
| Connector Impedance | 50 ohm |
| Operating Frequency Band | 0 – 5200 MHz |
| Cable Impedance | 50 ohm |
| 3rd Order IMD | -120 dBm @ 910 MHz |
| 3rd Order IMD Test Method | Two +43 dBm carriers |
| RF Operating Voltage, maximum (vrms) | 1415.00 V |
| dc Test Voltage | 4000 V |
| Outer Contact Resistance, maximum | 1.50 mOhm |
| Inner Contact Resistance, maximum | 0.40 mOhm |
| Insulation Resistance, minimum | 5000 MOhm |
| Average Power | 3.0 kW @ 900 MHz |
| Peak Power, maximum | 40.00 kW |
| Insertion Loss, typical | 0.05 dB |
| Shielding Effectiveness | -130 dB |

Product Specifications

AL5DM-PS



Outline Drawing



Mechanical Specifications

| | |
|-------------------------------------|---------------------------|
| Outer Contact Attachment Method | Ring-flare |
| Inner Contact Attachment Method | Captivated |
| Outer Contact Plating | Trimetal |
| Inner Contact Plating | Silver |
| Attachment Durability | 25 cycles |
| Interface Durability | 500 cycles |
| Interface Durability Method | IEC 61169-4:9.5 |
| Connector Retention Tensile Force | 1334 N 300 lbf |
| Connector Retention Torque | 8.13 N-m 72.00 in lb |
| Insertion Force | 200.17 N 45.00 lbf |
| Insertion Force Method | IEC 61169-1:15.2.4 |
| Pressurizable | No |
| Coupling Nut Proof Torque | 24.86 N-m 220.00 in lb |
| Coupling Nut Retention Force | 1000.85 N 225.00 lbf |
| Coupling Nut Retention Force Method | MIL-C-39012C-3.25, 4.6.22 |

Dimensions

| | |
|--------------|--------------------|
| Nominal Size | 7/8 in |
| Diameter | 37.21 mm 1.47 in |
| Length | 78.49 mm 3.09 in |
| Weight | 259.00 g 0.57 lb |

www.commscope.com/andrew

©2010 CommScope, Inc. All rights reserved.
All trademarks identified by ® or ™ are registered trademarks or trademarks, respectively, of CommScope. All specifications are subject to change.
See www.commscope.com/andrew for the most current information.

Product Specifications

AL5DM-PS



Environmental Specifications

| | |
|---------------------------------|---|
| Operating Temperature | -55 °C to +85 °C (-67 °F to +185 °F) |
| Storage Temperature | -55 °C to +85 °C (-67 °F to +185 °F) |
| Immersion Depth | 1 m |
| Immersion Test Mating | Unmated |
| Immersion Test Method | IEC 60529:2001, IP68 |
| Water Jetting Test Mating | Unmated |
| Water Jetting Test Method | IEC 60529:2001, IP66 |
| Moisture Resistance Test Method | MIL-STD-202F, Method 106F |
| Mechanical Shock Test Method | MIL-STD-202F, Method 213B, Test Condition C |
| Thermal Shock Test Method | MIL-STD-202F, Method 107G, Test Condition A-1, Low Temperature -55 °C |
| Vibration Test Method | IEC 60068-2-6 |
| Corrosion Test Method | MIL-STD-1344A, Method 1001.1, Test Condition A |

Standard Conditions

| | |
|------------------------------------|----------------|
| Attenuation, Ambient Temperature | 20 °C 68 °F |
| Average Power, Ambient Temperature | 40 °C 104 °F |

Return Loss/VSWR

| Frequency Band | VSWR | Return Loss (dB) |
|----------------|------|------------------|
| 45–1000 MHz | 1.02 | 39.00 |
| 1010–2200 MHz | 1.03 | 37.50 |
| 2210–3000 MHz | 1.03 | 35.60 |
| 3010–5200 MHz | 1.08 | 28.00 |

Regulatory Compliance/Certifications

| Agency | Classification |
|----------------------------|---|
| RoHS 2002/95/EC | Compliant by Exemption |
| China RoHS SJ/T 11364-2006 | Above Maximum Concentration Value (MCV) |



* Footnotes

| | |
|-------------------------|--|
| Immersion Depth | Immersion at specified depth for 24 hours |
| Insertion Loss, typical | $0.05\sqrt{\text{freq (GHz)}}$ (not applicable for elliptical waveguide) |

www.commscope.com/andrew

©2010 CommScope, Inc. All rights reserved.
All trademarks identified by ® or ™ are registered trademarks or trademarks, respectively, of CommScope. All specifications are subject to change.
See www.commscope.com/andrew for the most current information.