

D10CEA SDI to Component/ Composite Video with 4 Channel Audio Converter

User Manual



AJA
AJA VIDEO SYSTEMS INC

December 20, 2006 P/N 101637-00

Trademarks

AJA, Io, and Kona are trademarks of AJA Video, Inc. All other trademarks are the property of their respective holders.

Notice

Copyright © 2005 AJA Video, Inc. All rights reserved. All information in this manual is subject to change without notice. No part of the document may be reproduced or transmitted in any form, or by any means, electronic or mechanical, including photocopying or recording, without the express written permission of AJA Inc.

FCC Emission Information

This equipment has been tested and found to comply with the limits for a Class A digital device, pursuant to Part 15 of the FCC Rules. These limits are designed to provide reasonable protection against harmful interference when the equipment is operated in a commercial environment. This equipment generates, uses and can radiate radio frequency energy and, if not installed and used in accordance with the instruction manual, may cause harmful interference to radio communications. Operation of this equipment in a residential area is likely to cause harmful interference in which case the user will be required to correct the interference at his own expense. Changes or modifications not expressly approved by AJA Video can effect emission compliance and could void the user's authority to operate this equipment.

Contacting Support

To contact AJA Video for sales or support, use any of the following methods:

443 Crown Point Circle, Grass Valley, CA. 95945 USA

Telephone: +1.800.251.4224 or +1.530.274.2048

Fax: +1.530.274.9442

Web: <http://www.aja.com>

Support Email: support@aja.com

Sales Email: sales@aja.com

When calling for support, have all information on the product (serial number etc.) at hand prior to calling.

Limited Warranty

AJA Video warrants that this product will be free from defects in materials and workmanship for a period of five years from the date of purchase. If a product proves to be defective during this warranty period, AJA Video, at its option, will either repair the defective product without charge for parts and labor, or will provide a replacement in exchange for the defective product.

In order to obtain service under this warranty, you the Customer, must notify AJA Video of the defect before the expiration of the warranty period and make suitable arrangements for the performance of service. The Customer shall be responsible for packaging and shipping the defective product to a designated service center nominated by AJA Video, with shipping charges prepaid. AJA Video shall pay for the return of the product to the Customer if the shipment is to a location within the country in which the AJA Video service center is located. Customer shall be responsible for paying all shipping charges, insurance, duties, taxes, and any other charges for products returned to any other locations.

This warranty shall not apply to any defect, failure or damage caused by improper use or improper or inadequate maintenance and care. AJA Video shall not be obligated to furnish service under this warranty a) to repair damage resulting from attempts by personnel other than AJA Video representatives to install, repair or service the product, b) to repair damage resulting from improper use or connection to incompatible equipment, c) to repair any damage or malfunction caused by the use of non-AJA Video parts or supplies, or d) to service a product that has been modified or integrated with other products when the effect of such a modification or integration increases the time or difficulty of servicing the product.

THIS WARRANTY IS GIVEN BY AJA VIDEO IN LIEU OF ANY OTHER WARRANTIES, EXPRESS OR IMPLIED. AJA VIDEO AND ITS VENDORS DISCLAIM ANY IMPLIED WARRANTIES OF MERCHANTABILITY OR FITNESS FOR A PARTICULAR PURPOSE. AJA VIDEO'S RESPONSIBILITY TO REPAIR OR REPLACE DEFECTIVE PRODUCTS IS THE WHOLE AND EXCLUSIVE REMEDY PROVIDED TO THE CUSTOMER FOR ANY INDIRECT, SPECIAL, INCIDENTAL OR CONSEQUENTIAL DAMAGES IRRESPECTIVE OF WHETHER AJA VIDEO OR THE VENDOR HAS ADVANCE NOTICE OF THE POSSIBILITY OF SUCH DAMAGES.

Introduction

The D10CEA converts SDI video with embedded audio to 10-bit component or composite analog video and 4 channel balanced analog audio. The video outputs can be configured as YPbPr (Betacam or SMPTE/EBU N10), RGB, composite or Y/C (S-Video). Two re-clocked loop-thru SDI outputs are also provided. This versatile low-cost converter is ideal for video/audio monitoring.

The 4 channel analog audio outputs can be wired in a balanced or unbalanced configuration. All audio output channels can be selected as group 1-4 from SMPTE embedded audio. You have four settings of Audio level to choose from.

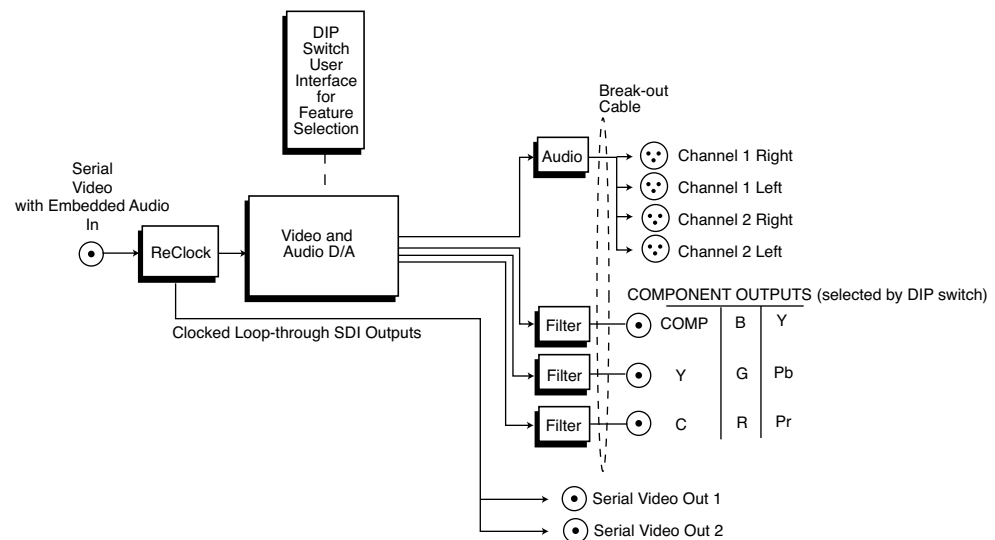
Output connections for video and audio are available on a 25 pin “D” subminiature connector. A break-out cable is supplied with the converter for this purpose.

You can configure video and audio from a DIP switch accessed through a cut-out in the converter’s case.

Features

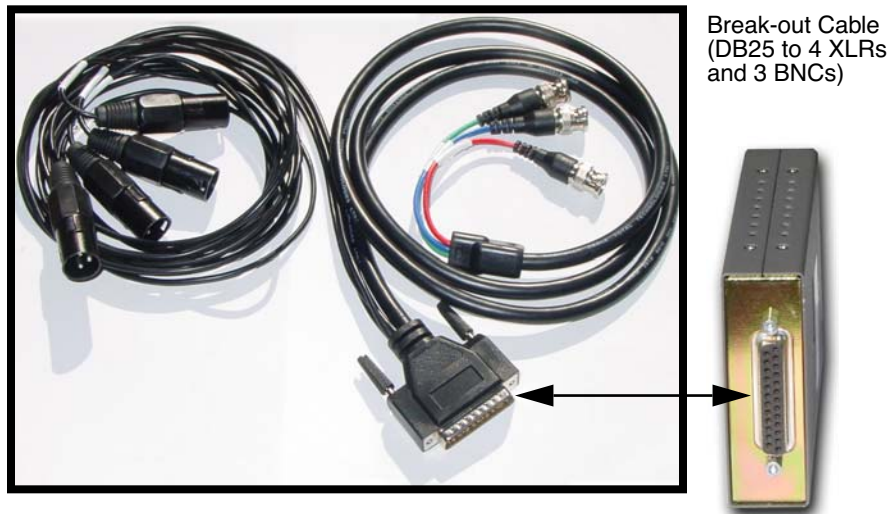
- SDI to analog audio and video converter
- SDI with embedded audio input
- 2 re-clocked, loop-thru SDI outputs
- 10-bit component or composite analog video outputs
- 4 channel balanced analog audio output
- Selectable audio level
- Selectable audio channel group
- External DIP switch user interface for configuration

Block Diagram



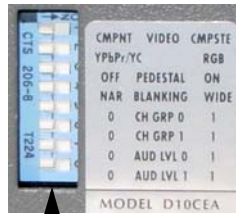
D10CEA SDI Video with Embedded Audio Converter, Block Diagram

I/O Connections



D10CEA and Break-Out Cable

User Controls



DIP Switches
LEFT ↔ RIGHT

The user interface for the D10CEA is an 8-switch DIP accessible through a cut-out in the bottom of the unit. Use the DIP switches to configure video outputs, pedestal, blanking, select audio channel groups, and set audio level.

Switches 1 through 4 configure video output format. Switches 4 through 8 select the audio channel group and audio level. The exact function of each DIP switch and what it controls is described on the following pages.

Switch 1—Select Component (COMPNT) or Composite (CMPSTE) Out

RIGHT	LEFT
CMPSTE: Selects composite video output	COMPNT: Selects component video output

Switch 2—Selects YPbPr/YC or RGB Component Outputs

RIGHT	LEFT
RGB: Selects RGB	YPbPr/YC: Selects YPbPr/YC component video out

Switch 3—Configure Pedestal For Composite

RIGHT	LEFT
7.5 IRE pedestal for NTSC (also selects BETA 525 levels for YPbPr)	No pedestal (also selects SMPTE levels for YPbPr)

Note: There is no effect with 625 input.

Switch 4—Configure Blanking

RIGHT	LEFT
WIDE Blanking: Vertical— Line numbers indicate where video starts) line 20, field 1; line 20, field 2 (525 line) line 23, field 1; line 336, field 2 (625 line) Horizontal— Active video line duration ITU-R/SMPTE (710 pixels NTSC, 702 pixels PAL)	NARROW (NAR) Blanking: Vertical— Line numbers indicate where video starts line 13, field 1; line 12, field 2 (525 line) line 10, field 1; line 322, field 2 (625 line) Horizontal— Active video line duration ITU-R.470

Switches 5 and 6—Select an Audio Channel Group for Output

Together these two switches select the group of audio channels that will be routed to the XLR connectors on the break-out cable. Each audio group has four channels, corresponding to the four connectors. The following table shows the group and channel assignments selected by each switch position for the two DIP switches.

Group and Channels	S5	S6
Group 0: Channels 1 to 4	Off (Left)	Off (Left)
Group 1: Channels 5 to 8	On (Right)	Off (Left)
Group 2: Channels 9 to 12	Off (Left)	On (Right)
Group 3: Channels 13 to 16	On (Right)	On (Right)

Switches 7 and 8—Select Audio Levels for Output

Together these two switches select audio output levels at the XLR outputs. The following table shows the level selected by each switch position for the two DIP switches. Note: if your D10CEA has a serial number before “A15212”, refer to Table 2; otherwise, see Table 1.

Table 1. Audio levels for D10CEAs S/N A15212 and above

Audio Level (dbu)	S7	S8
+24.00 dBu	Off (Left)	Off (Left)
+18.00 dBu	On (Right)	Off (Left)
+15.00 dBu	Off (Left)	On (Right)
+12.00 dBu	On (Right)	On (Right)

Table 2. Audio levels for D10CEAs S/N A15211 and earlier

Audio Level (dbu)	S7	S8
+4.00 dBu	Off (Left)	Off (Left)
+2.00 dBu	On (Right)	Off (Left)
0.00 dBu	Off (Left)	On (Right)
-14.00 dBu	On (Right)	On (Right)

Output Selection Matrix For Video Output 2 (3 BNCs)

The following table shows the combinations of DIP switch settings required to configure the three BNCs on the break-out cable.

Output Format	DIP Switch #1	DIP Switch #2	DIP Switch #3
1 composite & 1 Y/C (pedestal)	CMPSTE/ RIGHT	YPbPr/YC N/A	RIGHT
1 composite & 1 Y/C (no pedestal)	COMPNT/ RIGHT	YPbPr/YC/YC N/A	LEFT
RGB	COMPNT/ LEFT	RGB/RIGHT	LEFT
SMPTE component (BETA625)	COMPNT/ LEFT	YPbPr/YC/YC LEFT	LEFT
BETA 525 component	COMPNT/ LEFT	YPbPr/YC/YC LEFT	RIGHT

SMPTE Component

Selects:
 Component
 YPbPr (SMPTE)
 Pedestal Off
 Narrow Blanking
 Audio Group 0 (channels 1-4)
 Audio Level +4.00 dbu

Beta Component

Selects:
 Component
 YPbPr (Beta)
 Pedestal On
 Narrow Blanking
 Audio Group 0 (channels 1-4)
 Audio Level +4.00 dbu

Composite

Selects:
 Composite
 Composite and Y/C
 Pedestal On
 Narrow Blanking
 Audio Group 0 (channels 1-4)
 Audio Level 0.00 dbu

Examples of Typical DIP Switch Settings

Installation

Typically, D10CEA installation consists of the following:

1. disconnect +5VDC from the convertor
2. configure the DIP switch for the desired equipment configuration and video formats
3. connect video equipment to the convertor BNCs
4. apply +5VDC power to the converter (AJA power supply model DWP)

Specifications

Item	Specification
Serial Input	SMPTE 259M with embedded audio, 1 BNC
Outputs	Video: YPbPr - SMPTE, EBU-N10, Betacam, RGB, NTSC, PAL, YC (S-Video), 10-bits 2 SDI Re-clocked loop-thru, 2 x BNC Audio: 4 Channel Balanced/Unbalanced. Audio breakout cable for balanced output included with unit. Video/Audio Outputs: 1 25-pin D connector
Audio Groups	1, 2, 3, 4
Frequency Response	+/- .25dB to 5.5MHz (Y Video) +/- .5dB to 20 KHz (Audio)
Audio Level Adjustments	S/N A15212 and above: +24, +18, +15, +12 dBu S/N below A15212: -14, 0, +2, +4 dBu
Power (AJA power supply model DWP)	5v DC regulated, 4 watt
Size	5.8" x 3.1" x 1" (147 x 79 x 25 mm)