

D5CE Serial Digital Encoder

User Manual



AJA
AJA VIDEO SYSTEMS INC

December 5, 2003 P/N 101632-03

Trademarks

AJA, Io, and Kona are trademarks of AJA Video, Inc. All other trademarks are the property of their respective holders.

Notice

Copyright © 2003 AJA Video, Inc. All rights reserved. All information in this manual is subject to change without notice. No part of the document may be reproduced or transmitted in any form, or by any means, electronic or mechanical, including photocopying or recording, without the express written permission of AJA Inc.

FCC Emission Information

This equipment has been tested and found to comply with the limits for a Class A digital device, pursuant to Part 15 of the FCC Rules. These limits are designed to provide reasonable protection against harmful interference when the equipment is operated in a commercial environment. This equipment generates, uses and can radiate radio frequency energy and, if not installed and used in accordance with the instruction manual, may cause harmful interference to radio communications. Operation of this equipment in a residential area is likely to cause harmful interference in which case the user will be required to correct the interference at his own expense. Changes or modifications not expressly approved by AJA Video can effect emission compliance and could void the user's authority to operate this equipment.

Contacting Support

To contact AJA Video for sales or support, use any of the following methods:

443 Crown Point Circle, Grass Valley, CA. 95945 USA

Telephone: +1.800.251.4224 or +1.530.274.2048

Fax: +1.530.274.9442

Web: <http://www.aja.com>

Support Email: support@aja.com

Sales Email: sales@aja.com

When calling for support, have all information on the product (serial number etc.) at hand prior to calling.

Limited Warranty

AJA Video warrants that this product will be free from defects in materials and workmanship for a period of three years from the date of purchase. If a product proves to be defective during this warranty period, AJA Video, at its option, will either repair the defective product without charge for parts and labor, or will provide a replacement in exchange for the defective product.

In order to obtain service under this warranty, you the Customer, must notify AJA Video of the defect before the expiration of the warranty period and make suitable arrangements for the performance of service. The Customer shall be responsible for packaging and shipping the defective product to a designated service center nominated by AJA Video, with shipping charges prepaid. AJA Video shall pay for the return of the product to the Customer if the shipment is to a location within the country in which the AJA Video service center is located. Customer shall be responsible for paying all shipping charges, insurance, duties, taxes, and any other charges for products returned to any other locations.

This warranty shall not apply to any defect, failure or damage caused by improper use or improper or inadequate maintenance and care. AJA Video shall not be obligated to furnish service under this warranty a) to repair damage resulting from attempts by personnel other than AJA Video representatives to install, repair or service the product, b) to repair damage resulting from improper use or connection to incompatible equipment, c) to repair any damage or malfunction caused by the use of non-AJA Video parts or supplies, or d) to service a product that has been modified or integrated with other products when the effect of such a modification or integration increases the time or difficulty of servicing the product.

THIS WARRANTY IS GIVEN BY AJA VIDEO IN LIEU OF ANY OTHER WARRANTIES, EXPRESS OR IMPLIED. AJA VIDEO AND ITS VENDORS DISCLAIM ANY IMPLIED WARRANTIES OF MERCHANTABILITY OR FITNESS FOR A PARTICULAR PURPOSE. AJA VIDEO'S RESPONSIBILITY TO REPAIR OR REPLACE DEFECTIVE PRODUCTS IS THE WHOLE AND EXCLUSIVE REMEDY PROVIDED TO THE CUSTOMER FOR ANY INDIRECT, SPECIAL, INCIDENTAL OR CONSEQUENTIAL DAMAGES IRRESPECTIVE OF WHETHER AJA VIDEO OR THE VENDOR HAS ADVANCE NOTICE OF THE POSSIBILITY OF SUCH DAMAGES.

Introduction

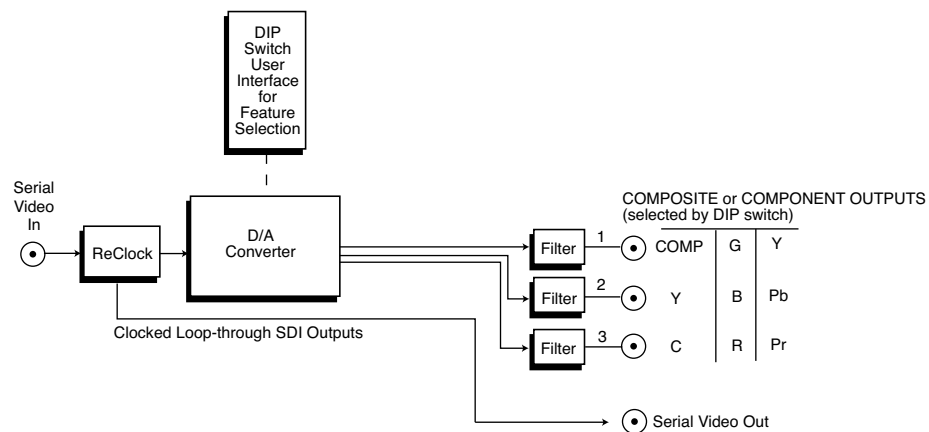
The D5CE provides low cost, all digital conversion of SDI to either composite or component analog video. Three analog BNC outputs are user configurable to cover a wide range of format combinations including three composite, one composite and Y/C, YPbPr (SMPTE, EBU-N10), Betacam, or RGB. The D5CE is useful for monitoring video, level/phase checking, dubs, or desktop video applications. In addition, an equalized and re-clocked SDI loop-through output is provided. The D5CE automatically configures to 525 or 625 line component digital inputs and then outputs analog NTSC (525 line input), PAL (625 line input) or component as configured by the DIP switches.

The D5CE encodes the full dynamic range of input component video—values below black and above white are not clipped. In the NTSC mode, the 7.5 IRE pedestal can be disabled by the external DIP switch.

Features

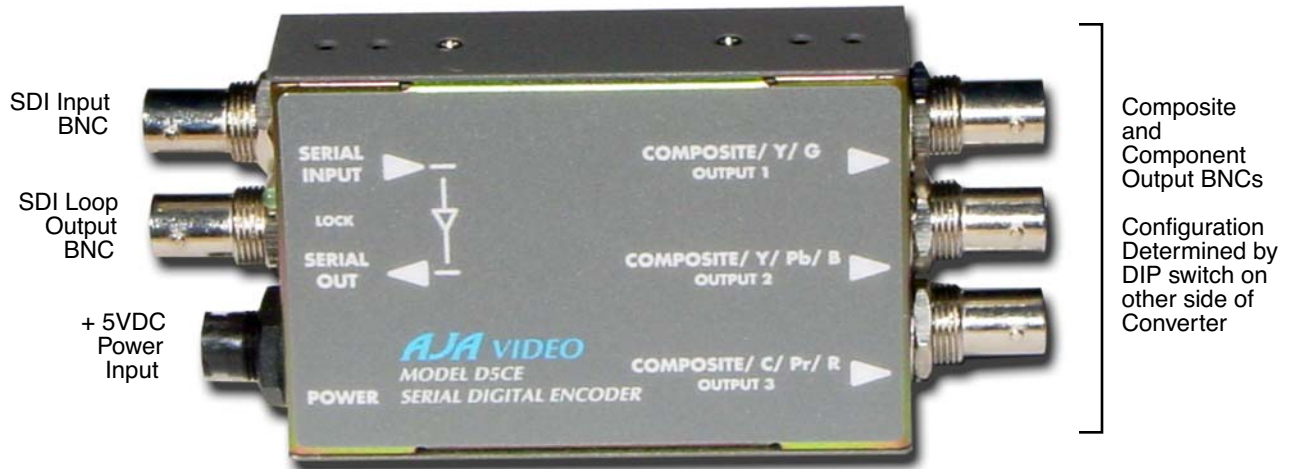
- Low Cost SDI to Component or Composite Analog
- User Selectable Component or Composite/YC Outputs
- YPbPr, Betacam, or RGB Component Formats
- Re-clocked Loop-Thru SDI Output
- Automatic NTSC/PAL Selection
- User Selectable Vertical/Horizontal Blanking
- External DIP switch user interface for configuration

Block Diagram



D5CE SDI to Analog Component and Composite Converter, Block Diagram

I/O Connections



D5CE, Side View

User Controls



DIP Switches

OFF ←→ ON

The user interface for the D5CE is a 4-switch DIP accessible through a cut-out in the bottom of the unit. Use the DIP switches to configure outputs, pedestal, blanking, and choose type of component output (if using component).

Switches 1 and 2 select output BNC video format. Switches 3 and 4 configure pedestal and blanking. The exact function of each DIP switch and what it controls is described on the following pages.

Switch 1—Selects Composite or Component Video Output (3 BNCs)

ON	OFF
COMPNT: Selects component video output	CMPSTE: Selects composite video output and Y/C output

Switch 2—Select Video Format of Outputs (3 BNCs)

ON	OFF
YPbPr/YC: If SW1 is set to COMPNT, this selection outputs Y, R-Y, B-Y If SW 1 is set to CMPSTE, this selection outputs 1 composite and 1 Y/C	RGB: If SW1 is set to COMPNT, this selection outputs RGB If SW1 is set to CMPSTE, this selection outputs 3 composites

Switch 3—Configure Pedestal

ON	OFF, RGB
7.5 IRE pedestal for NTSC (also selects BETA 525 levels for YUV)	No pedestal (also selects SMPTE levels for YUV)

Note: There is no effect with 625 input.

Switch 4—Configure Blanking For Composite/Sync BNC

ON	OFF
WIDE Blanking: Vertical— Line numbers indicate where video starts) line 20, field 1; line 20, field 2 (525 line) line 23, field 1; line 336, field 2 (625 line) Horizontal— Active video line duration ITU-R/SMPTE (710 pixels NTSC, 702 pixels PAL)	NARROW (NAR) Blanking: Vertical— Line numbers indicate where video starts line 13, field 1; line 12, field 2 (525 line) line 10, field 1; line 322, field 2 (625 line) Horizontal— Active video line duration's) ITU-R.470 (720 pixels PAL/NTSC)

Output Selection Matrix For Output 2 (3 BNCs)

The following table shows the combinations of DIP switch settings required to configure the three output BNCs.

Output Format	DIP Switch #1	DIP Switch #2	DIP Switch #3
3 composite (pedestal)	COMPSTE/ OFF	RGB/OFF	ON
3 composite (no pedestal)	COMPSTE/ OFF	RGB/OFF	OFF
1 composite & 1 Y/C (pedestal)	COMPSTE/ OFF	YUV/YC ON	ON
1 composite & 1 Y/C (no pedestal)	COMPNT/ON	YUV/YC ON	OFF
RGB	COMPNT/ON	RGB/OFF	OFF
SMPTE component (BETA625)	COMPNT/ON	YUV/YC ON	OFF
BETA 525 component	COMPNT/ON	YUV/YC ON	ON

Notes:

1. The D5CE is programmed for a 1.3 MHz chroma bandwidth when composite video mode is selected. This provides the best quality video when encoding component digital video. However, with lower cost monitors it may be desirable to reduce the composite chroma bandwidth to 650 Khz to reduce the effects of cross-color artifacts. This option is available from AJA Video as a special order.

2. The encoder's D-to-A chip in the D5CE has an 8-bit input for component digital video and 10-bit D-to-A converters for the analog outputs. This configuration is often described as an 8-bit "signal path" and 10-bit "Quantization." Due to the internal processing of the encoder chip, it is advantageous to use 10-bit D-to-A converters at the output even though the input is 8-bits.

Installation

Typically, D5CE installation consists of the following:

1. disconnect +5VDC from the convertor
2. configure the DIP switch for the desired equipment configuration and video formats
3. connect video equipment to the convertor BNCs
4. apply +5VDC power to the converter (AJA power supply model DWP)

Specifications

Item	Specification
Serial Input	SMPTE 259M 270MB, (SDI)
SDI Cable Equalization	300 meter 8281 typical
Serial Output (looping)	Equalized, Re-clocked
Outputs	1. YPbPr - SMPTE, EBU-N10, Betacam, RGB (3 BNCs) 2. NTSC, PAL (3 BNCs) 3. NTSC/PAL and Y/C (3 BNCs)
Frequency Response	+/- .25dbto 5.5Mhz (Y) +/- .25dbto2.0Mhz (Chroma-Component, RGB) +/- .25dbto 1.3Mhz (Chroma - Composite)
2T K factor	< 1% (Y)
Differential Gain	< 1 .5%
Differential Phase	< 1 .5 degree
Y/C delay	10ns maximum
D/A Converters	10 bits
Signal Path	8 bits
Delay (input to output)	1.5us
Output level adjustment	+/- 20% (internal)
Output level matching	1 .5% or 10mv (All outputs are separately buffered)
Power (AJA power supply model DWP)	5v DC regulated, 2.5 watt
Size	5.1" x 2.4" x 1" (131 x 61 x 25 MM.)

