



Type N female to SMA female Adapter

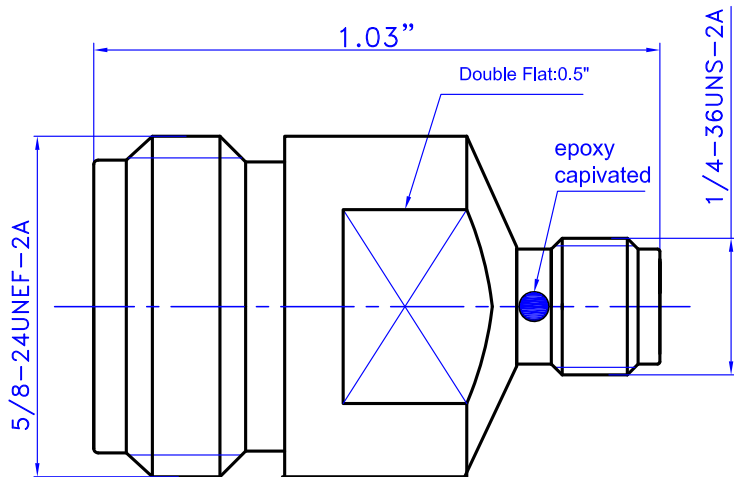
P/N P1-ADP-NJSS/SMAJSS

Electrical (Typical)
 Impedance: 50 Ohms
 Frequency Range: DC - 18 GHz
 VSWR:
 1.25 : 1 (Max) for DC - 18 GHz
 Operating Temp Range: -65°C - +125°C

	Materials	Finish
Body/Coupling Nut	Stainless steel	Passivated
Center Conductor	BeCu Alloy	Gold over Nickel
Gasket	Silicone Rubber	---
Captivation	Epoxy	---

Mechanical (Typical)
 Connector: Mates with MIL-STD-348

RoHS Compliant: YES



All dimension are in inches		SIZE A	SCALE NO	P1dB	
		REV. A	SHEET 1/1		
DRAWING BY: Z. Luo	DATE: 8/3/2010	PART NO. P1-ADP-NJSS/SMAJSS		TITLE Type N Female to SMA Female Adapter	
CHECKED BY: S. Jlang	DATE: 8/3/2010				
APPROVED BY: R. Kraemer	DATE: 8/3/2010				