



SMA male to SMA female Adapter

P/N ADP-SMAPSS/SMAJSS

Electrical (Typical)

Impedance: 50 Ohms
 Frequency Range: DC - 18 GHz
 VSWR:
 1.20 : 1 (Max) for DC - 18 GHz

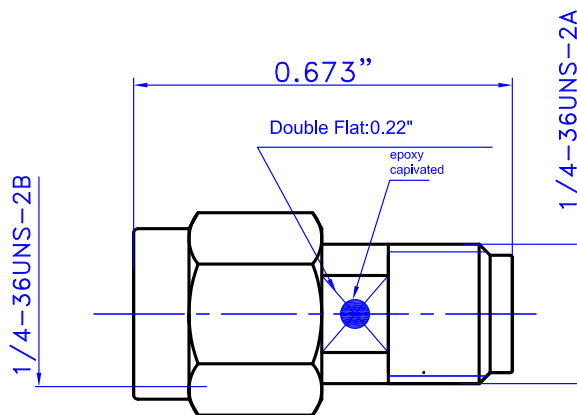
Operating Temp Range: -65°C - +125°C

Mechanical (Typical)

Connector: Mates with MIL-STD-348

RoHS Compliant: YES

	Materials	Finish
Body/Nut	Stainless steel	Passivated
Center Conductor	BeCu Alloy	Gold over Nickel
Captivation	Epoxy	---
Gasket	Silicone Rubber	---



All dimension are in inches		SIZE A	SCALE NO	P1dB	
DRAWING BY: Z. Luo	DATE: 8/3/2010	REV. A	SHEET 1/1		
CHECKED BY: S. Jiang	DATE: 8/3/2010	PART NO. P1-ADP-SMAPSS/SMAJSS		TITLE SMA Male to SMA Female Adapter	
APPROVED BY: R. Kraemer	DATE: 8/3/2010				