

# NPN RF POWER TRANSISTOR

**DESCRIPTION:**

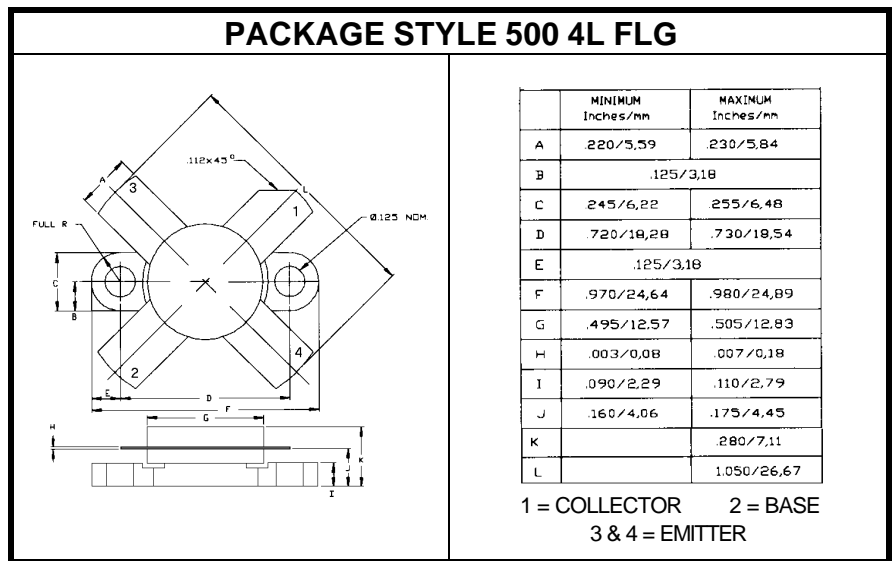
The **ASI TP9383** is a Common Emitter Device Designed for FM Broadcast Transmitter Applications in the 88 to 108 MHz Band.

**FEATURES INCLUDE:**

- High Efficiency
- Gold Metallization
- Emitter Ballasting

**MAXIMUM RATINGS**

<b>I<sub>C</sub></b>	16 A
<b>V<sub>CB0</sub></b>	60 V
<b>P<sub>DISS</sub></b>	230 W @ T <sub>C</sub> = 25 °C
<b>T<sub>J</sub></b>	-55 °C to +200 °C
<b>T<sub>STG</sub></b>	-55 °C to +200 °C
<b>q<sub>JC</sub></b>	0.75 °C/W


**CHARACTERISTICS** T<sub>C</sub> = 25 °C

SYMBOL	TEST CONDITIONS	MINIMUM	TYPICAL	MAXIMUM	UNITS
<b>BV<sub>CB0</sub></b>	I <sub>C</sub> = 100 mA	60			V
<b>BV<sub>CER</sub></b>	I <sub>C</sub> = 5.0 mA    R <sub>BE</sub> = 10 Ω	55			V
<b>BV<sub>CEO</sub></b>	I <sub>C</sub> = 100 mA	25			V
<b>BV<sub>EBO</sub></b>	I <sub>E</sub> = 20 mA	4.0			V
<b>h<sub>FE</sub></b>	V <sub>CE</sub> = 5.0 V    I <sub>C</sub> = 1.0 A	20		150	---
<b>C<sub>OB</sub></b>	V <sub>CB</sub> = 28 V    f = 1.0 MHz			150	pF
<b>P<sub>G</sub></b> <b>h<sub>c</sub></b>	V <sub>CE</sub> = 28 V    P <sub>OUT</sub> = 150 W    f = 108 MHz	9.2 70	10.0		dB %