

**Scanned Datasheet**

Notice: You cannot copy or search the text in this PDF file, because this PDF file is converted from a scanned image of printed materials.

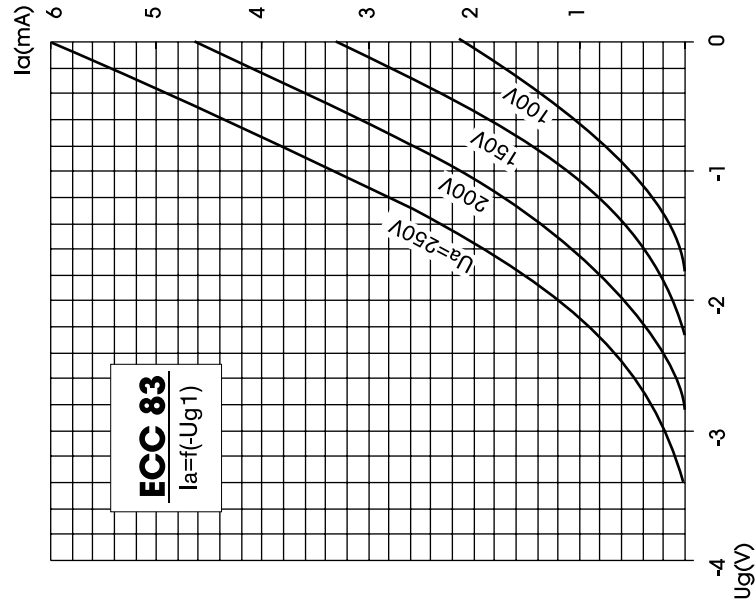
**Resources**

[Datasheet Archive - Datasheet & Application Note Search Engine](#)

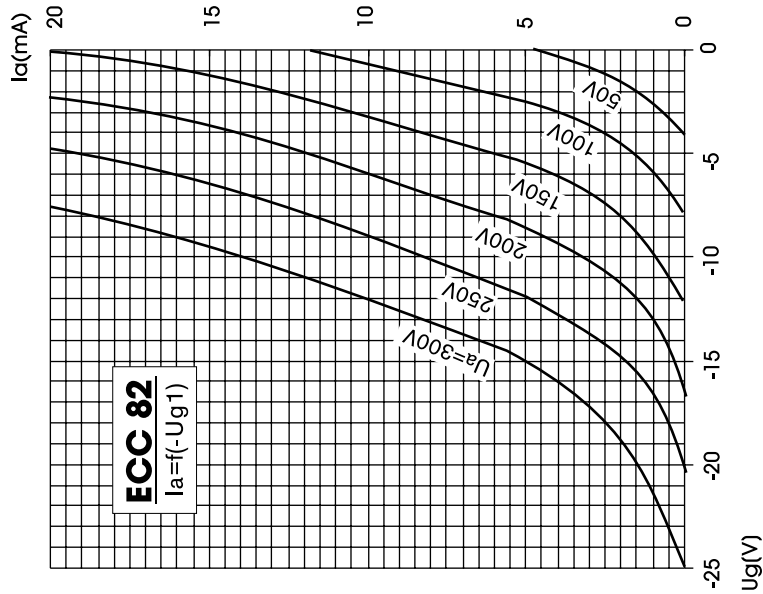
[SupplyFrame - Datasheet & Application Note Search Engine](#)



TRANSFER CHARACTERISTICS



TRANSFER CHARACTERISTICS



# ECC832

**Combinated double triode for special purposes**

**Base:** NOVAL

$U_f = 6,3$  or  $12,6$  V  
 $I_f = 300$  or  $150$  mA

**Typical characteristic:**

	system I. (pin 6,7,8)	system II. (pin 1,2,3)
$U_a$	= 250 V	250 V
$U_g$	= -2 V	-8,5 V
$I_a$	= 1,2 mA	10,5 mA
$S$	= 1,6 mA/V	2,2 mA/V
$R_i$	= 62,5 k $\Omega$	7,7 k $\Omega$
$\mu$	= 100	17

**Limiting values:**

**Capacitances:**

Please, refer to specs. of ECC 83 (for system I) or ECC 82 (for system II)

**Note: ECC 823**

Possibility to supply this tube „on request“ of customer with reverse pin order pin # 1, 2, 3 - ECC 83, pin # 6, 7, 8 - ECC 82. There is not international equivalent of this tube. In JJ catalogues is under ECC 823.

**Dimension and connections:**

